

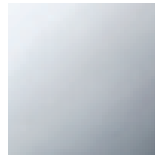


Sink - CL.1

Lavatory spout, wall-mounted without drain - polished chrome

Article number: 13 800 705-00

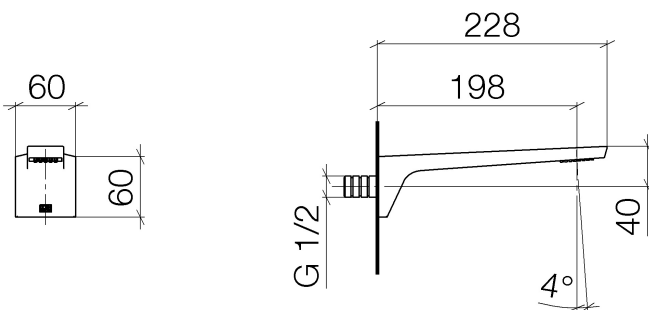
- 7-7/8" Projection
- Rigid spout
- Rectangular aerator with 40 individual streams
- 1-1/2" hole diameter
- lead-free
- 1/2" connection
- Plug-in connection mounting
- Water flow rate limited to max. 1.2 gpm
- Fittings group in compliance with DIN 4109: 1



polished chrome

Accessory is required for this item.

Dimensional drawing





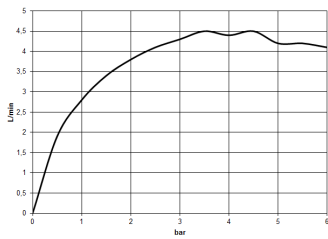
Sink - CL.1

Lavatory spout, wall-mounted without drain - polished chrome

Article number: 13 800 705-00

All dimensions in mm / inch = mm x 0,0394

Flow rate chart





Sink - CL.1

Lavatory spout, wall-mounted without drain - polished chrome

Article number: 13 800 705-00

Other surface finishes



platinum matte
13 800 705-06



Dark Platinum matte
13 800 705-99

More custom finish options are available via special production (xTra Service). Please see our finish matrix for availability and pricing or contact a Dornbracht representative.

Required article



35 080 970-90 0010

Rough-in adapter -

Spare parts list

Number	Item Number	Designation	Number of units
--------	-------------	-------------	-----------------

